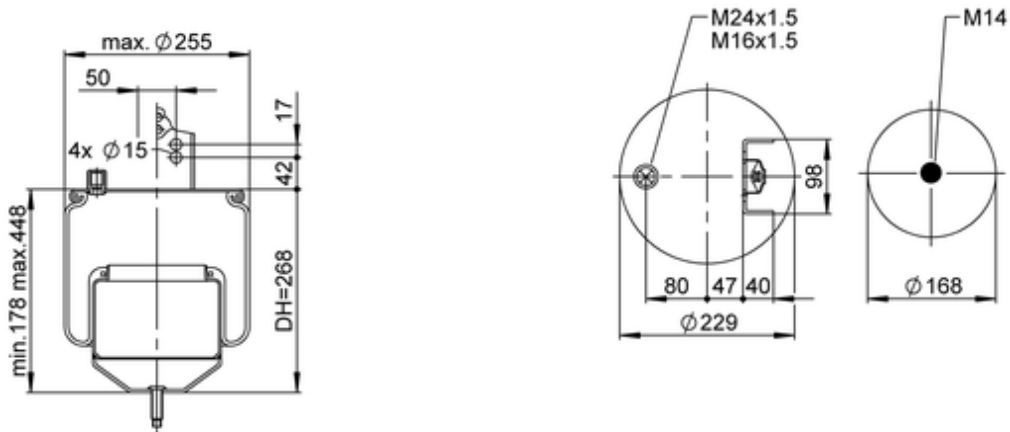


1R10-707

20920709








● bolt or stud

○ hole

⊗ combination stud

⊗ air inlet

 kg	6,1 kg
	
	M14: max. 70 Nm
	M16x1.5: max. 20 Nm
	M24x1.5: max. 70 Nm

OE Manufacturer/Part No.

Manufacturer	Original Part No.	Model
VOLVO	70321695	
VOLVO	21961451	
VOLVO	3171695	
VOLVO	20582214	
VOLVO	20456156	
VOLVO	20531987	
VOLVO	20374511	

VOLVO

1076418

© 2024 PRIME-RIDE®, ALL RIGHTS RESERVED. <https://prime-ride.com/>