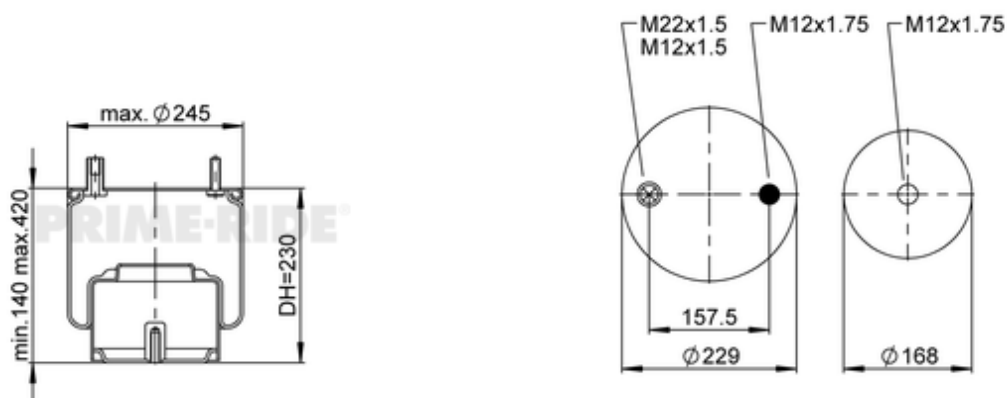







1R10-720

21150232



-  bolt or stud
-  hole
-  combination stud
-  air inlet

 kg	5,5 kg
	
	M12x1.5: max. 45 Nm
	M12x1.75: max. 45 Nm
	M22x1.5: max. 70 Nm

OE Manufacturer/Part No.

Manufacturer	Original Part No.	Model
DENNIS	664250	