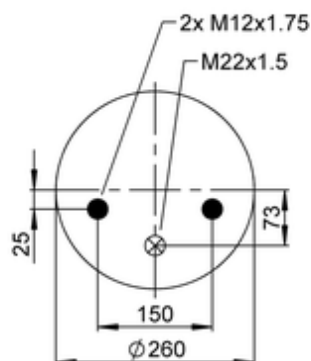
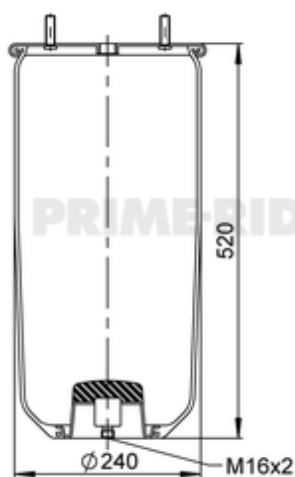


1R11-700

20920776







● bolt or stud

○ hole

⊗ combination stud

⊗ air inlet

 kg	5,3 kg
	M12x1.75: max. 45 Nm
	M16: max. 90 Nm
	M22x1.5: max. 70 Nm

OE Manufacturer/Part No.

Manufacturer	Original Part No.	Model
BPW	05.429.40.03.0	30