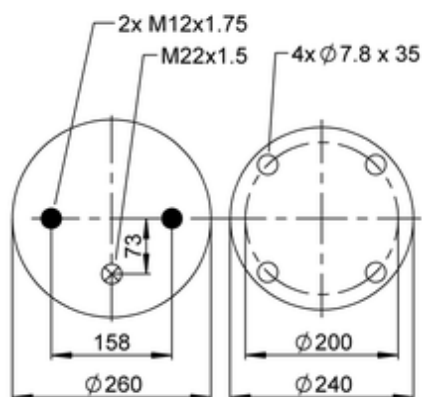
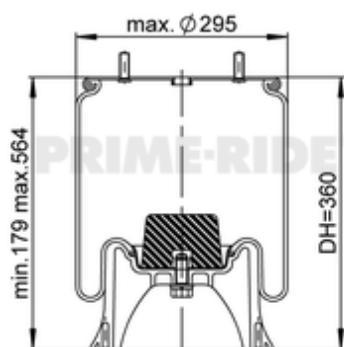


1R11-750

20920781



- bolt or stud
- hole
- combination stud
- air inlet

	7,1 kg
	M12x1.75: max. 45 Nm
	M22x1.5: max. 70 Nm

OE Manufacturer/Part No.

Manufacturer	Original Part No.	Model
SCANIA	1723273	
SAF	3.229.0007.01	
SAF	3.229.0007.02	2618
SAF	3.229.0007.00	2618 AR 416