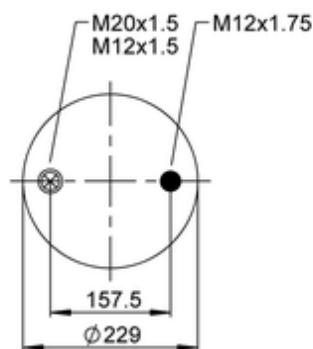
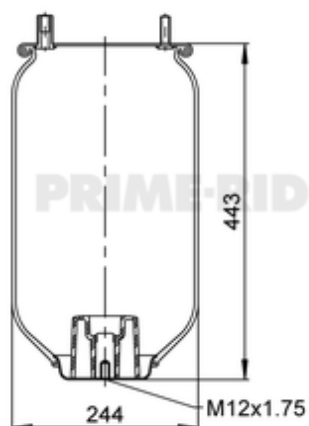


1R11-753

20921074







● bolt or stud

○ hole

⊗ combination stud

⊗ air inlet

	4,3 kg
	M12x1.5: max. 20 Nm
	M12x1.75: max. 45 Nm
	M20x1.5: max. 70 Nm

## OE Manufacturer/Part No.

Manufacturer	Original Part No.	Model
SMB	M060924	
SMB	M078580	
SMB	UJB 0975	