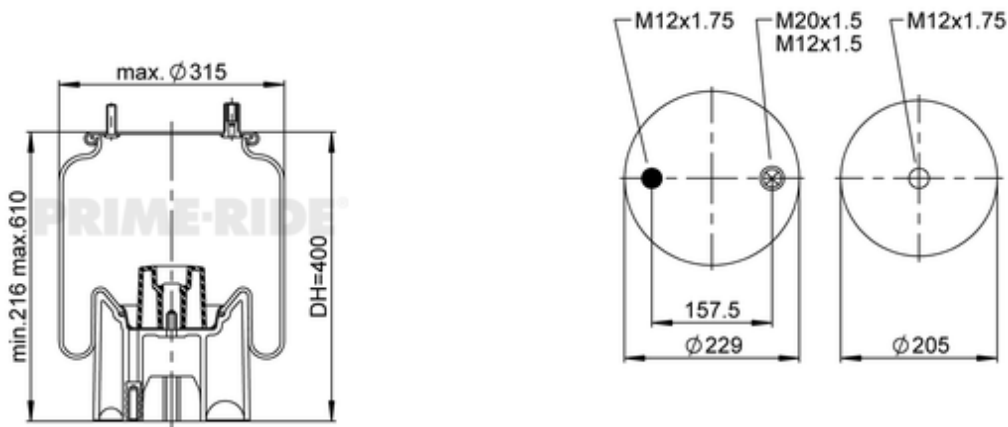


1R11-772

20920786



- bolt or stud
- hole
- combination stud
- air inlet

	6,3 kg
	M12x1.5: max. 20 Nm
	M12x1.75: max. 45 Nm
	M20x1.5: max. 70 Nm

OE Manufacturer/Part No.

Manufacturer	Original Part No.	Model
SMB	UJB 0975	
SMB	441901	
SMB	M060924	
Acerbi	128140028	
Acerbi	800449526	

