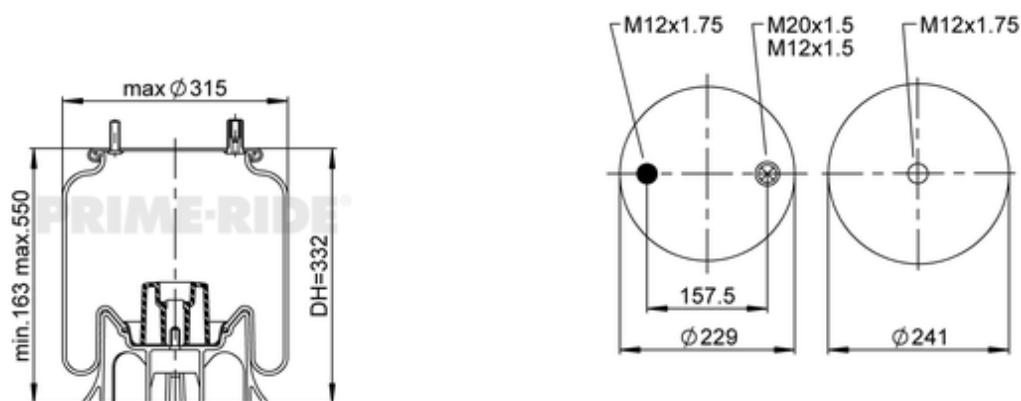







1R11-773

20920787



-  bolt or stud
-  hole
-  combination stud
-  air inlet

 kg	6,3 kg
	
	M12x1.5: max. 20 Nm
	M12x1.75: max. 45 Nm
	M20x1.5: max. 70 Nm

OE Manufacturer/Part No.

Manufacturer	Original Part No.	Model
SMB	M078580	
SAMRO	H2501869	
Fruehauf	UJB 1180/B	
NEWAY	905 57 233	