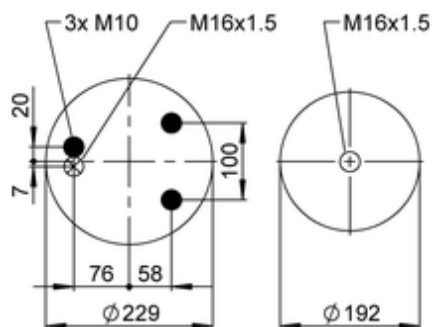
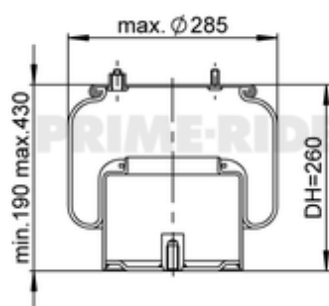


1R11-798

20921006








● bolt or stud

○ hole

⊗ combination stud

⊗ air inlet

 kg	6,3 kg
	
	M10: max. 30 Nm
	M16: max. 90 Nm
	M16x1.5: max. 90 Nm

OE Manufacturer/Part No.

Manufacturer	Original Part No.	Model
DAF	1697684	
DAF	1 529 834	
DAF	0 392 022	
DAF	0 392 011	