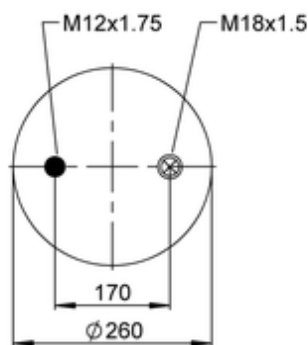
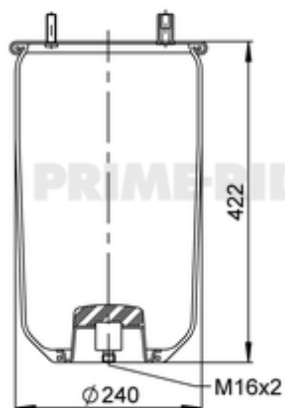


1R11-799

20921077



● bolt or stud

○ hole

⊗ combination stud

⊗ air inlet

	5,4 kg
	M12x1.75: max. 45 Nm
	M16: max. 90 Nm
	M18x1.5: max. 70 Nm

## OE Manufacturer/Part No.

Manufacturer	Original Part No.	Model
BPW	05.429.41.56.0	30 K