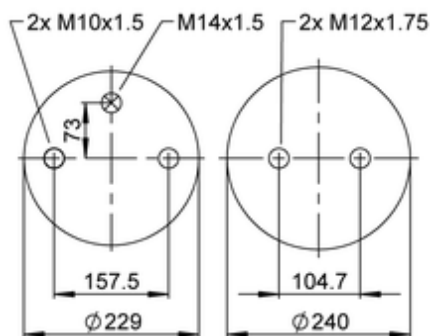
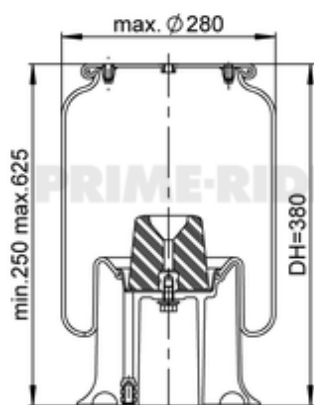







1R11-828

20921082



-  bolt or stud
-  hole
-  combination stud
-  air inlet

	7,1 kg
	
	M10: max. 40 Nm
	M12x1.75: max. 60 Nm
	M14x1.5: max. 70 Nm

### OE Manufacturer/Part No.

Manufacturer	Original Part No.	Model
SCANIA	1865758	
SCANIA	1363007	
SCANIA	1314904	
HENDRICKSON	HS506091	