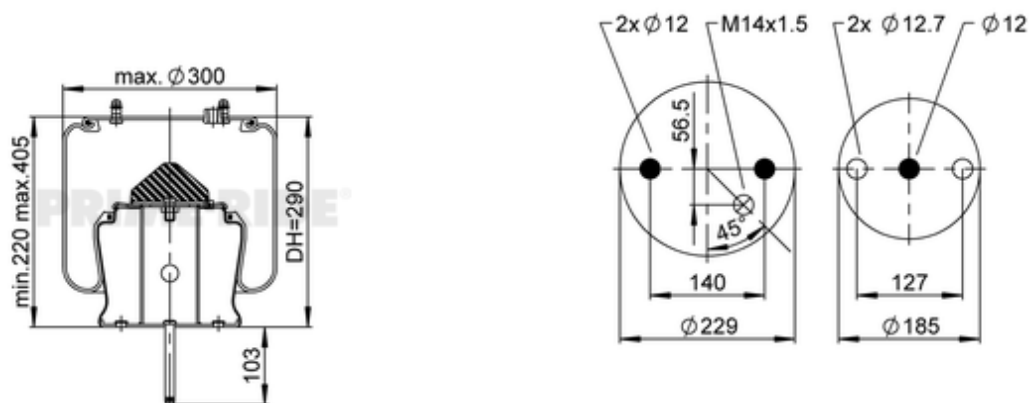






1R11-829

20920729



-  bolt or stud
-  hole
-  combination stud
-  air inlet

	8 kg
	
	M14x1.5: max. 70 Nm

**OE Manufacturer/Part No.**

Manufacturer	Original Part No.	Model
SCANIA	470922	
Scania	1440304	ADA1300, ASA1300