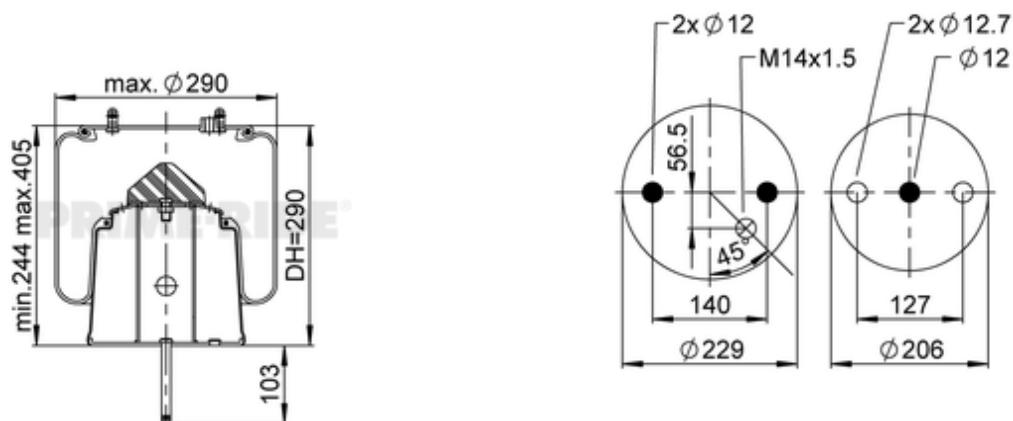




1R11-831

20920932



-  bolt or stud
-  hole
-  combination stud
-  air inlet

	8,3 kg
	M14x1.5: max. 70 Nm

OE Manufacturer/Part No.

Manufacturer	Original Part No.	Model
Scania	1440306	