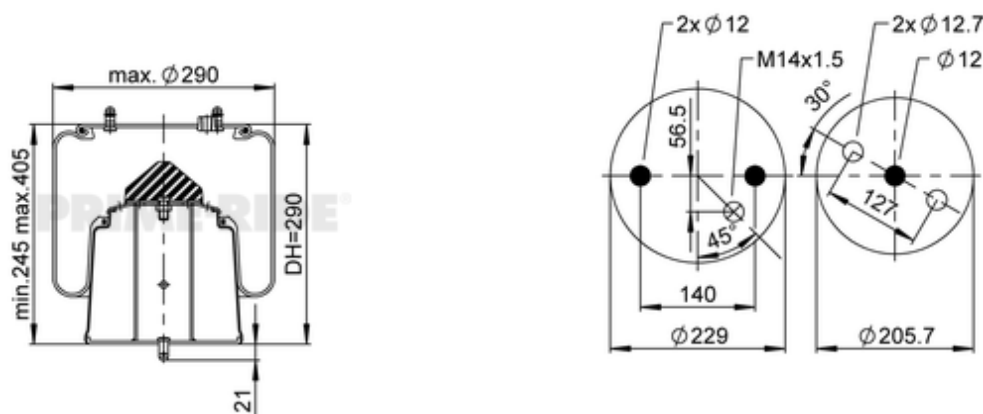


1R11-832

20920933






● bolt or stud

○ hole

⊗ combination stud

⊗ air inlet

 kg	8,4 kg
	
	M14x1.5: max. 70 Nm

## OE Manufacturer/Part No.

Manufacturer	Original Part No.	Model
Scania	1434506	