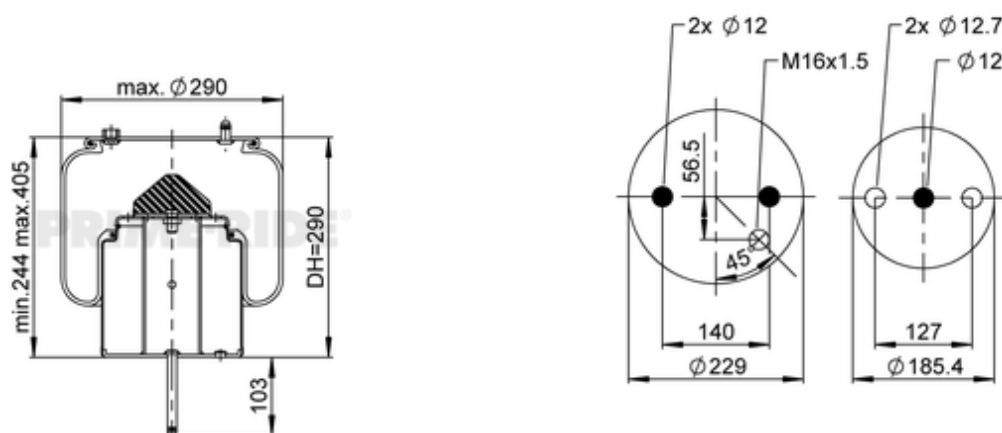







1R11-867

20920732



-  bolt or stud
-  hole
-  combination stud
-  air inlet

	8,3 kg
	1R11-839
	
	M16x1.5: max. 90 Nm

OE Manufacturer/Part No.

Manufacturer	Original Part No.	Model
Scania	2024290	
Scania	2024287	ADA1300
Scania	1726242	ADA1300