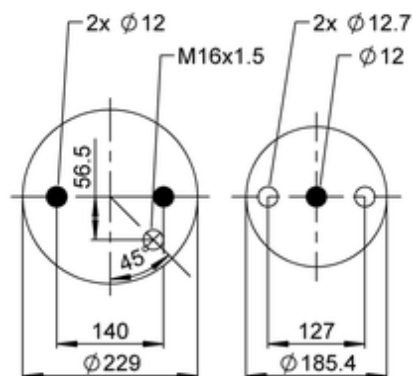
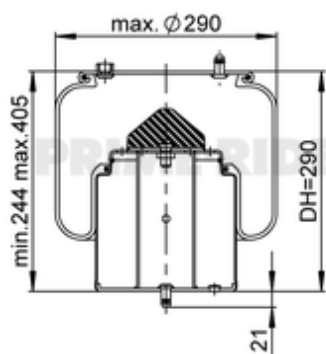


1R11-869

20920733



● bolt or stud

○ hole

⊗ combination stud

⊗ air inlet

	8,3 kg
	1R11-838
	M16x1.5: max. 90 Nm

OE Manufacturer/Part No.

Manufacturer	Original Part No.	Model
Scania	2024288	
Scania	2024291	
Scania	1726243	tandem load 17.5 ton
Scania	1726243	ADA1250, ASA1150