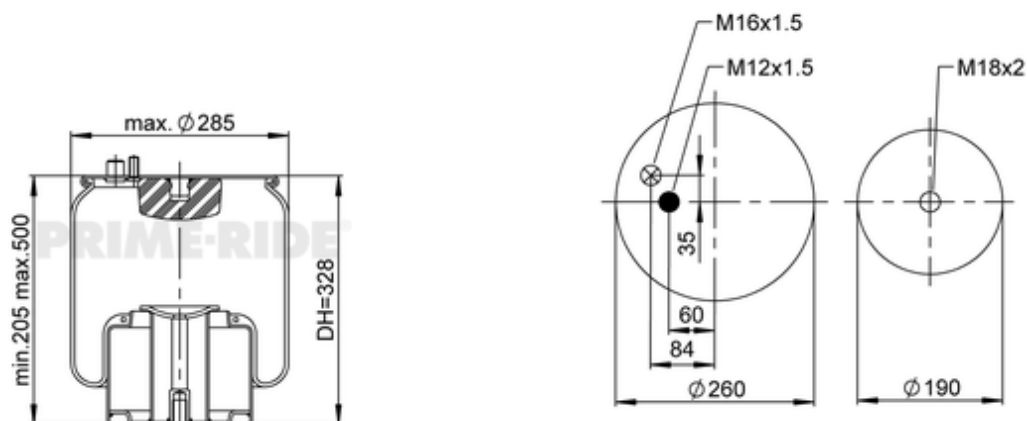


1R11-884

20921026








● bolt or stud

○ hole

⊗ combination stud

⊗ air inlet

 kg	8,5 kg
	
	M12x1.5: max. 45 Nm
	M16x1.5: max. 70 Nm
	M18x2: max. 110 Nm

OE Manufacturer/Part No.

Manufacturer	Original Part No.	Model
MAN	81.43600.6059	
MAN	6037	
MAN	43600	
MAN	81	