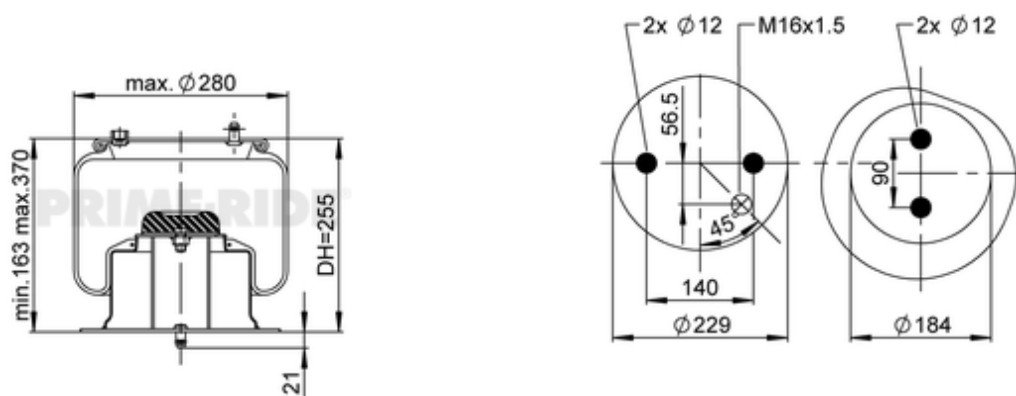


1R11-896

20920735



- bolt or stud
- hole
- combination stud
- air inlet

	7,6 kg
	1R11-879
	M16x1.5: max. 90 Nm

OE Manufacturer/Part No.

Manufacturer	Original Part No.	Model
Scania	2024283	
Scania	2024289	
Scania	2024285	
Scania	1726239	AMA780
Scania	2024284	AMA780