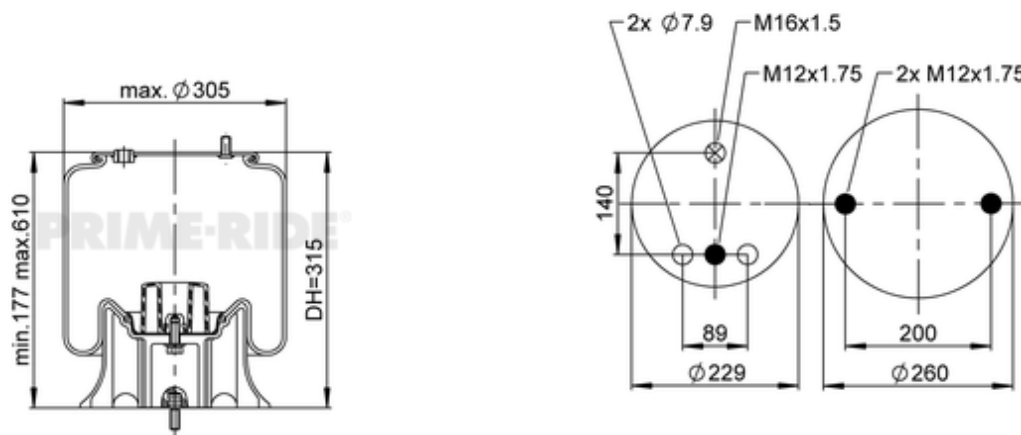


1R11-934

21101764



● bolt or stud

○ hole

⊗ combination stud

⊗ air inlet

	6,7 kg
	M12x1.75: max. 45 Nm
	M16x1.5: max. 90 Nm

OE Manufacturer/Part No.

Manufacturer	Original Part No.	Model
HENDRICKSON	HS505431	
Hendrickson	HS505431-03	
Hendrickson	H 505431	
DAF	1 407 329	LF 2. LF 4