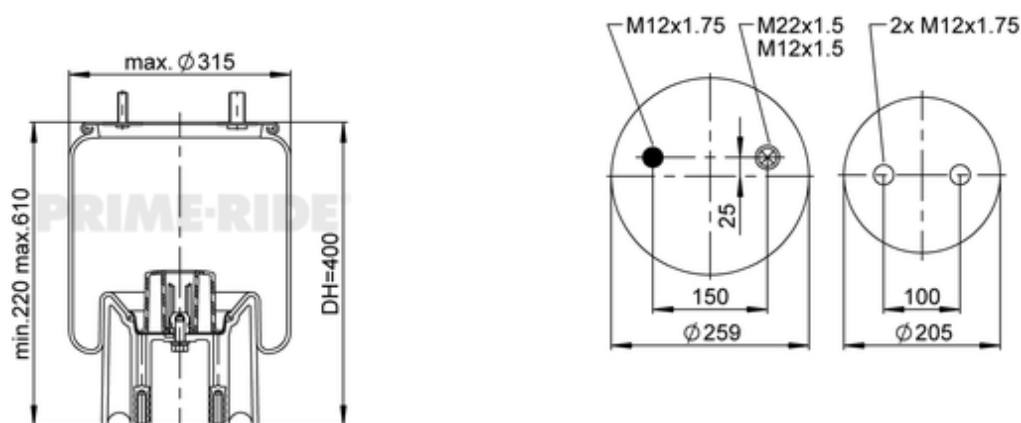


1R11-938

21103465








● bolt or stud

○ hole

⊗ combination stud

⊗ air inlet

 kg	6,7 kg
	
	M12x1.5: max. 20 Nm
	M12x1.75: max. 45 Nm
	M22x1.5: max. 70 Nm

OE Manufacturer/Part No.

Manufacturer	Original Part No.	Model
Jost	JAE 30 105 025 01	
Jost	JAS 30 105 025 01	
Jost	3010502501	
Daimler TAS	A 946 328 25 01	