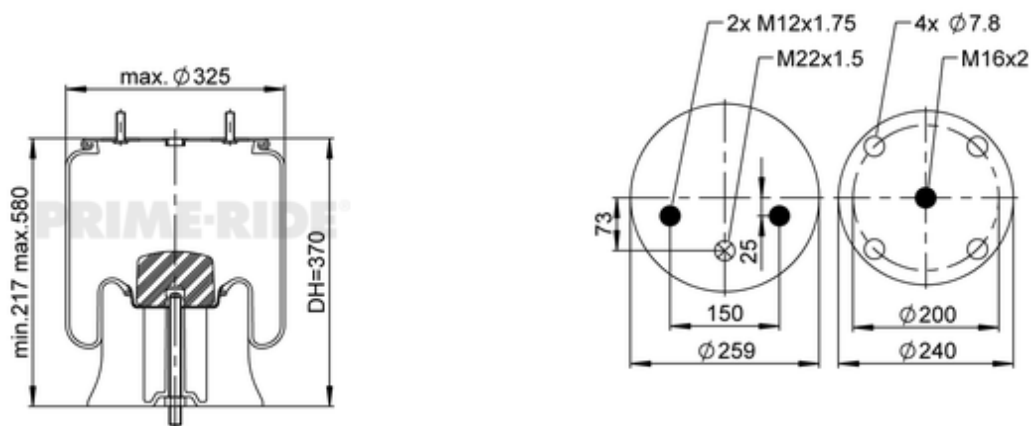


1R11-942

21103491








● bolt or stud

○ hole

⊗ combination stud

⊗ air inlet

| | |
|--|----------------------|
|  kg | 7,3 kg |
|  | |
|  | M12x1.75: max. 45 Nm |
|  | M16: max. 90 Nm |
|  | M22x1.5: max. 45 Nm |

OE Manufacturer/Part No.

| Manufacturer | Original Part No. | Model |
|--------------|-------------------|-------|
| SAF | 2621V | |
| SAF | 3.229.0038.00 | |