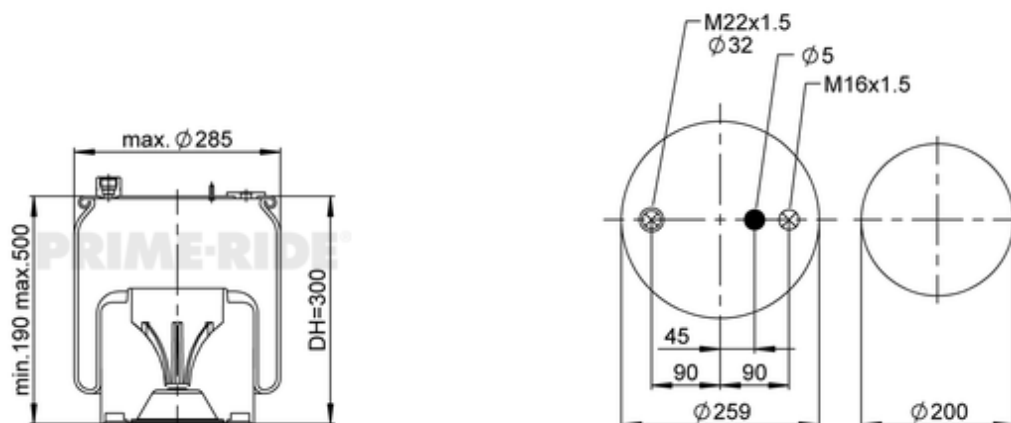


1R11-947

21112317



● bolt or stud

○ hole

⊗ combination stud

⊗ air inlet

	6,2 kg
	M16x1.5: max. 90 Nm
	M22x1.5: max. 70 Nm

OE Manufacturer/Part No.

Manufacturer	Original Part No.	Model
Mercedes	A 960 320 77 21	Actros MP4
Mercedes	A 960 320 01 57	Actros MP4
Mercedes	A 960 320 68 57	Actros MP4