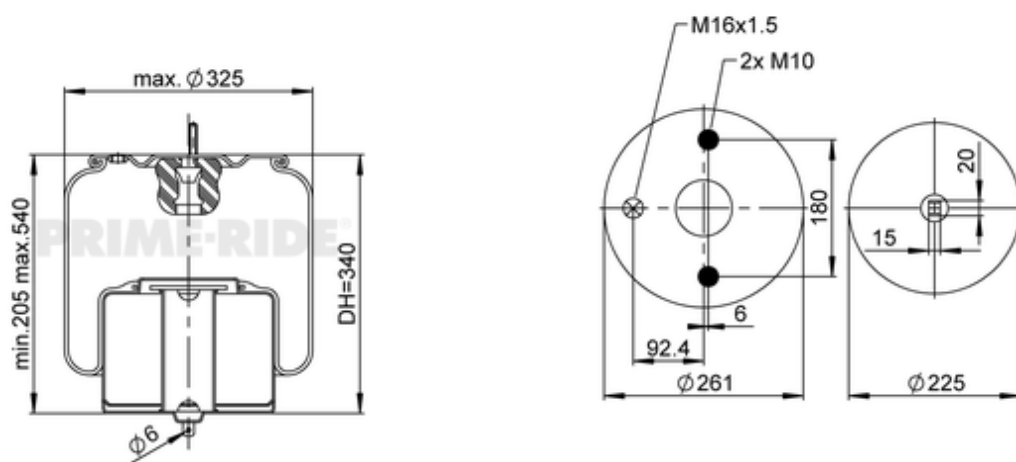


1R12-821

20920957







● bolt or stud

○ hole

⊗ combination stud

⊗ air inlet

 kg	9,9 kg
	
	M10: max. 30 Nm
	M16x1.5: max. 90 Nm

OE Manufacturer/Part No.

Manufacturer	Original Part No.	Model
VOLVO	20554759	
VOLVO	1075363	
VOLVO	20452136	