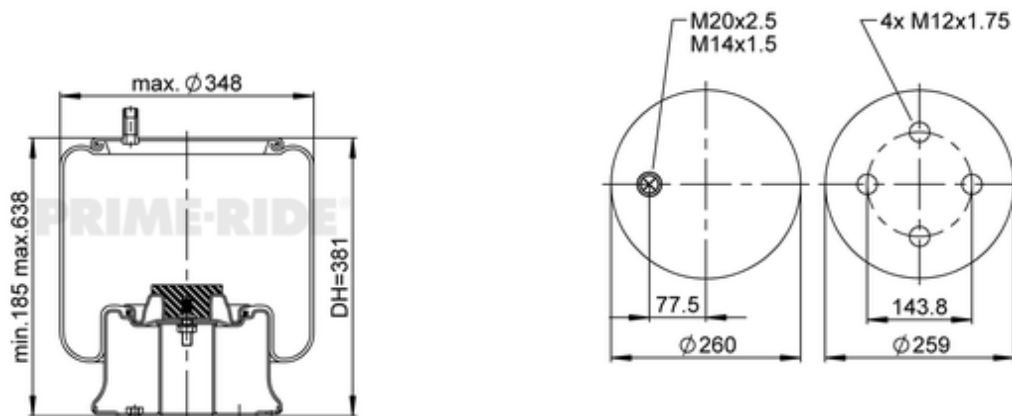


1R13-150

20920970








● bolt or stud

○ hole

⊗ combination stud

⊗ air inlet

 kg	9,8 kg
	
	M12x1.75: max. 45 Nm
	M14x1.5: max. 20 Nm
	M20x2.5: max. 70 Nm

OE Manufacturer/Part No.

Manufacturer	Original Part No.	Model
HENDRICKSON	HS251087	
DISCOS (by MERCEDES BENZ)	A 946 328 04 01	
DISCOS	A 946 328 11 01	
SAMRO	H2500915	
SAMRO	2500915	

