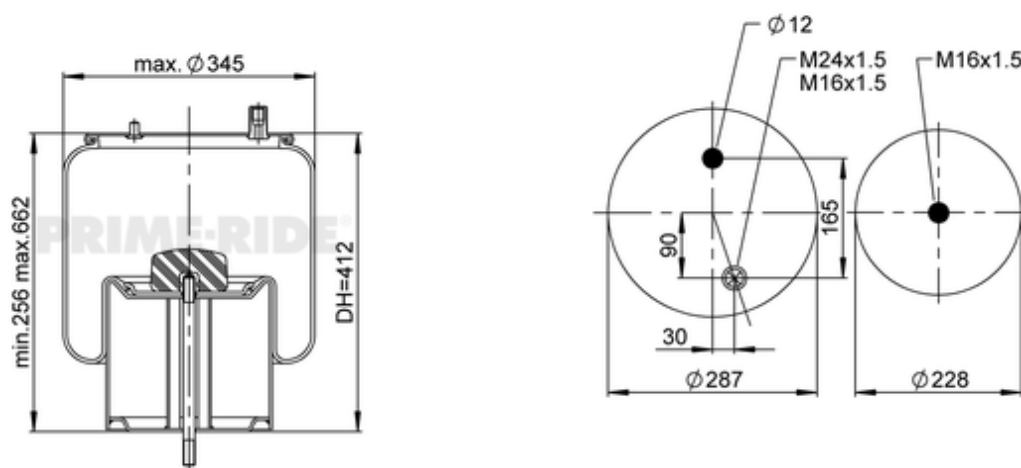


1R13-772

21101761








● bolt or stud

○ hole

⊗ combination stud

⊗ air inlet

 kg	13,8 kg
	
	M16x1.5: max. 20 Nm
	M16x1.5: max. 90 Nm
	M24x1.5: max. 70 Nm

OE Manufacturer/Part No.

Manufacturer	Original Part No.	Model
RENAULT	20726768	
RENAULT	21978504	
Renault	5.010.600.328	Premium / Magnum standard
Renault	7.421.978.494	Premium / Magnum standard