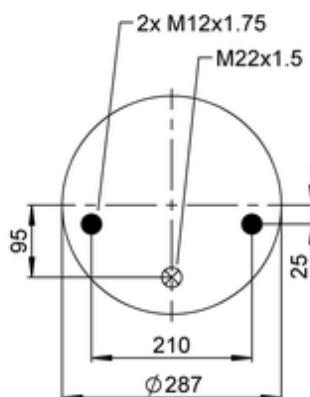
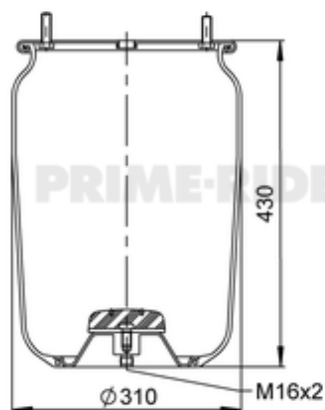


1R14-701

21052740







● bolt or stud

○ hole

⊗ combination stud

⊗ air inlet

	6,6 kg
	M12x1.75: max. 45 Nm
	M16: max. 90 Nm
	M22x1.5: max. 70 Nm

OE Manufacturer/Part No.

Manufacturer	Original Part No.	Model
SCHMITZ	750570	
BPW	05.429.41.01.0	36 K