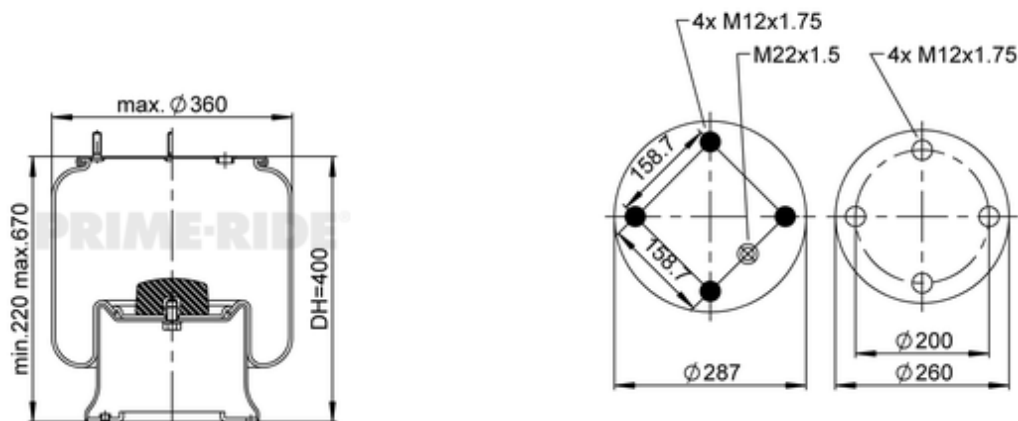


1R14-705

20920742








● bolt or stud

○ hole

⊗ combination stud

⊗ air inlet

 kg	13,2 kg
	1R14-061, 1R14-857
	
	M12x1.75: max. 45 Nm
	M22x1.5: max. 70 Nm

OE Manufacturer/Part No.

Manufacturer	Original Part No.	Model
Scania	1723269	
SMB	08403102	
TITAN	91687700000	
TRAILOR	0036158E	
TRAILOR	65022347Y	
TRAILOR	65023482	
TROUILLET	ST 225-675	

VIBERTI	128147122	
VIBERTI	644285	
WEWELER	US 87408F	
WEWELER	US 07345	
MERITOR (ROR)	21215633	
RENAULTTRUCKS	5.010.130.925	
S.A.E.	8403 / 102	
RENAULT TRUCKS	5.000.790.692	
PAUL NFZ	P2700MB0813	
PIACENZA	ST-225-675	
NEWAY	22282	
SAF	3.228.0003.00	
SAF	2.229.0010.00	
SAF	2.229.2103.00	
SAF	2.229.2403.00	
SAF	2.229.2603.00	
SAF	2.229.0003.00	
SAMRO	25004	
KÄSSBOHRER	4.731.030.000	
KÄSSBOHRER	4.731.033.000	
HENDRICKSON	785170	
GRANNING	15634	
HENDRICKSON	505859	
HENDRICKSON	505859/01	
DAF	0 388 491	
Pegaso	175005	Troner