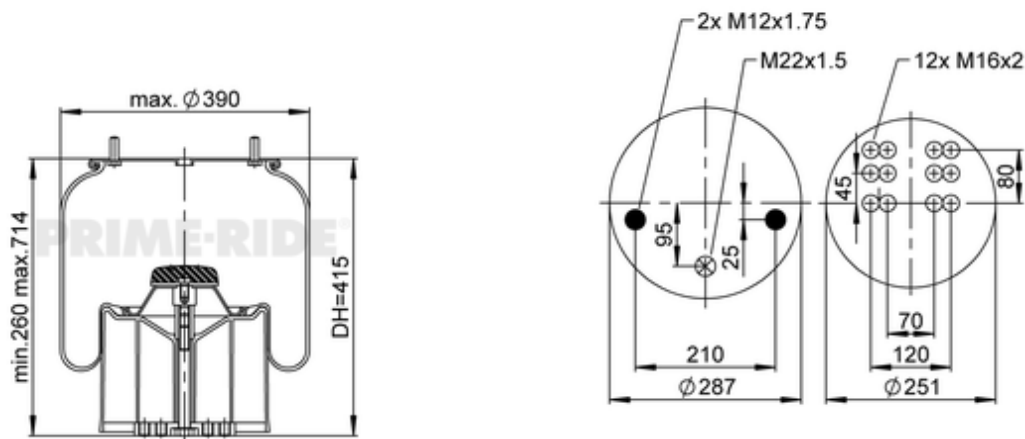


1R14-748

20920984








● bolt or stud

○ hole

⊗ combination stud

⊗ air inlet

	14,2 kg
	
	M12x1.75: max. 45 Nm
	M16: max. 90 Nm
	M22x1.5: max. 70 Nm

## OE Manufacturer/Part No.

Manufacturer	Original Part No.	Model
SCANIA	2198330	
SCHMITZ	750496	
SCHMITZ	751549	
BPW	05.429.43.51.0	36
Hüffermann	6-AB8003-0100	36

