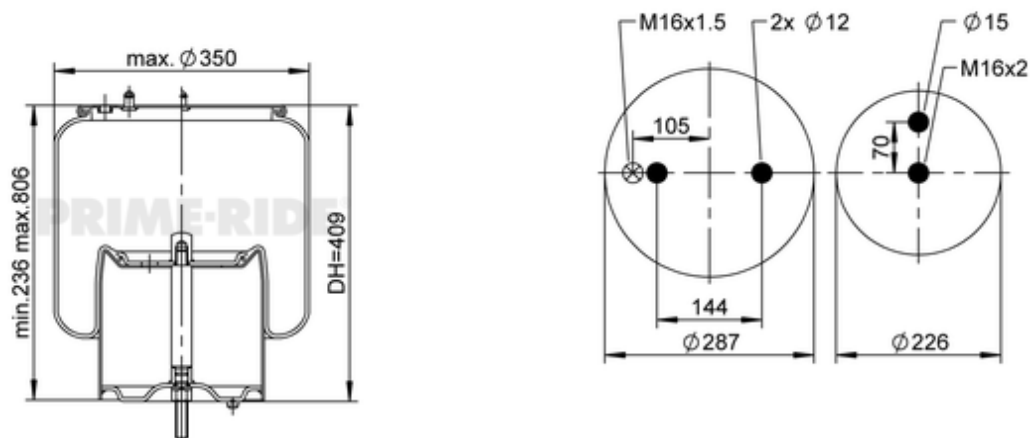


1R14-753

20920876



- bolt or stud
- hole
- combination stud
- air inlet

kg	12,9 kg
	M16: max. 90 Nm
	M16x1.5: max. 90 Nm

OE Manufacturer/Part No.

Manufacturer	Original Part No.	Model
Scania	2287814	
Scania	2198330	36
Scania	1510195	R-Series
Scania	1543691	R-Series new generation
Scania	1440294	Series 4
Scania	1379392	Series 4
Scania	1731113	R-Series low, extra low

