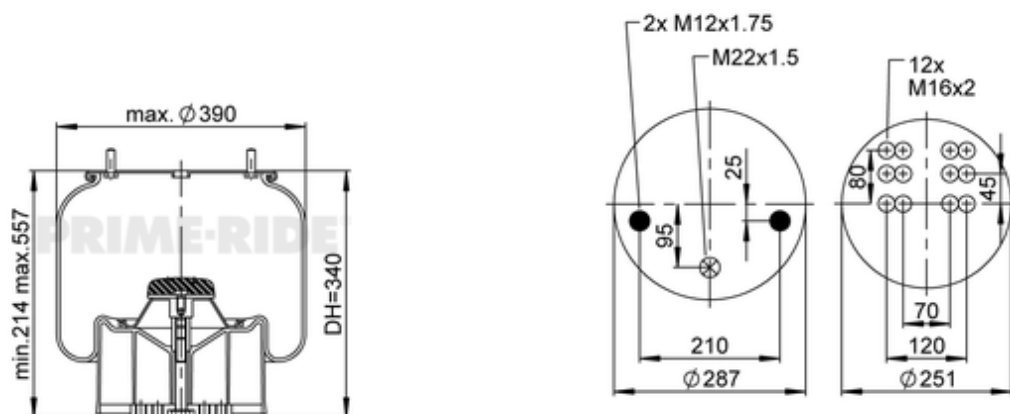


1R14-757

21050637



- bolt or stud
- hole
- combination stud
- air inlet

	11,8 kg
	M12x1.75: max. 45 Nm
	M16: max. 90 Nm
	M22x1.5: max. 70 Nm

OE Manufacturer/Part No.

Manufacturer	Original Part No.	Model
SCANIA	2198331	
BPW	05.429.43.41.0	36 K
BPW	05.429.43.44.0	36 K
Hüffermann	6-AB8003-0200	36 K