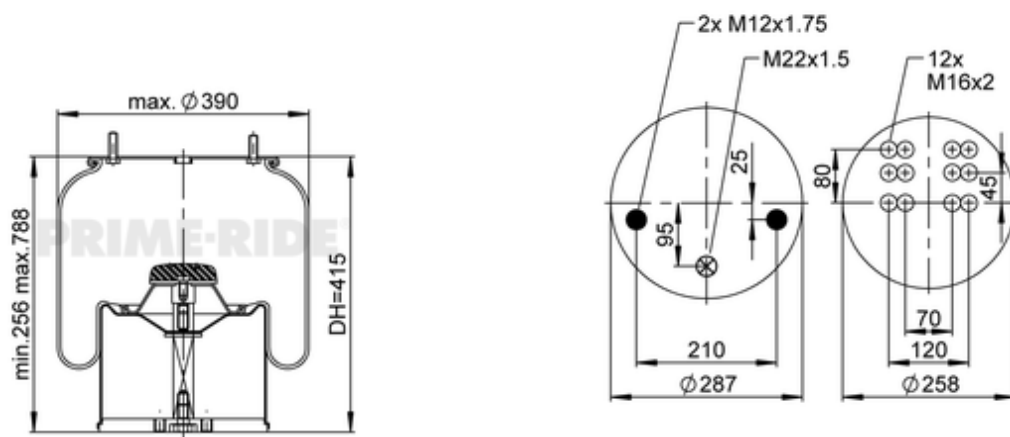


1R14-781

21090812



● bolt or stud

○ hole

⊗ combination stud

⊗ air inlet

	16,4 kg
	1R14-738
	M12x1.75: max. 45 Nm
	M16: max. 90 Nm
	M22x1.5: max. 70 Nm

## OE Manufacturer/Part No.

Manufacturer	Original Part No.	Model
BPW	05.429.41.71.1	
Hüffermann	6-AB8003-0300	36-1
BPW	05.429.41.69.0	36-1