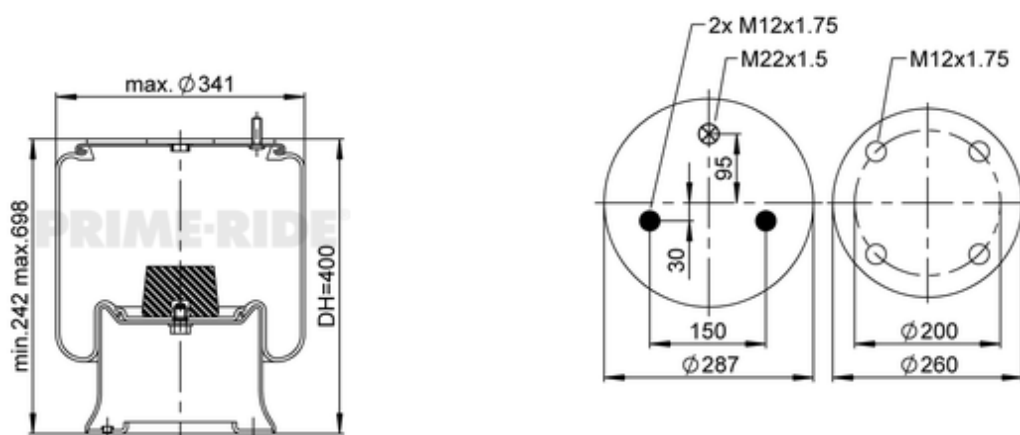






1R14-784

20920750



-  bolt or stud
-  hole
-  combination stud
-  air inlet

	16,5 kg
	
	M12x1.75: max. 66 Nm
	M22x1.5: max. 70 Nm

OE Manufacturer/Part No.

Manufacturer	Original Part No.	Model
SCHMITZ	0 17685	
SCHMITZ	017089	
SCHMITZ	17685	
SCANIA	2198324	
WEWELER	US04031	
WEWELER	US04031F	
Weweler	US 04029P	
Weweler	US 04031P	

