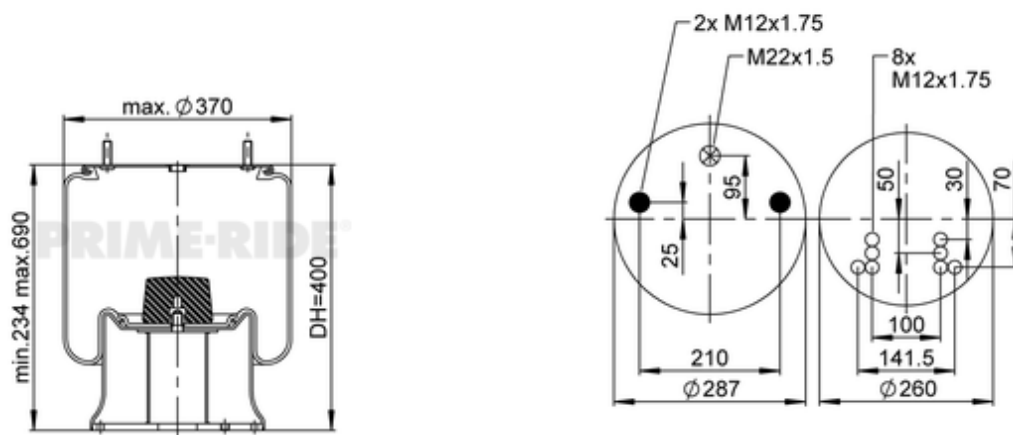


1R14-823

20920987



- bolt or stud
- hole
- combination stud
- air inlet

	14 kg
	M12x1.75: max. 66 Nm
	M22x1.5: max. 70 Nm

OE Manufacturer/Part No.

Manufacturer	Original Part No.	Model
WEWELER	US 04030	
SCANIA	2198328	
SCHMITZ	1288087	
SCHMITZ	0 17924	
SCHMITZ	S015323	
DAIMLER	TAS 946 328 15 01	
DISCOS by MERCEDES	A 946 328 15 01	
Weweler	US 04030F	

Jost	20 105 015 01
Jost	JAS 20 105 015 01
SMB	093770001
SMB	09377001
Weweler	US 04030P
Weweler	US 04030G
Schmitz	FAG041-0087