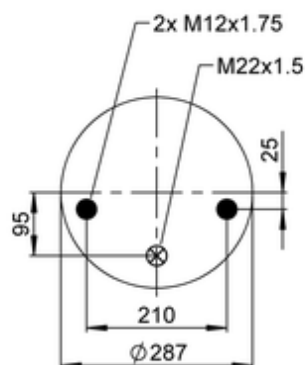
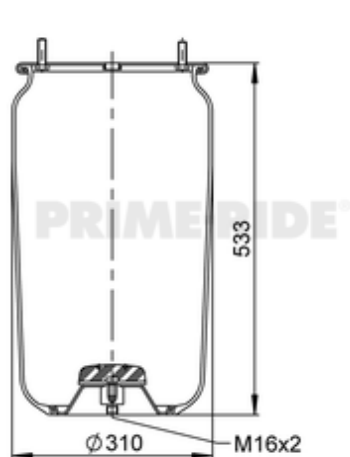


1R14-851

20921163







● bolt or stud

○ hole

⊗ combination stud

⊗ air inlet

	6,9 kg
	M12x1.75: max. 45 Nm
	M16: max. 90 Nm
	M22x1.5: max. 70 Nm

OE Manufacturer/Part No.

Manufacturer	Original Part No.	Model
TRIDEC	311208	