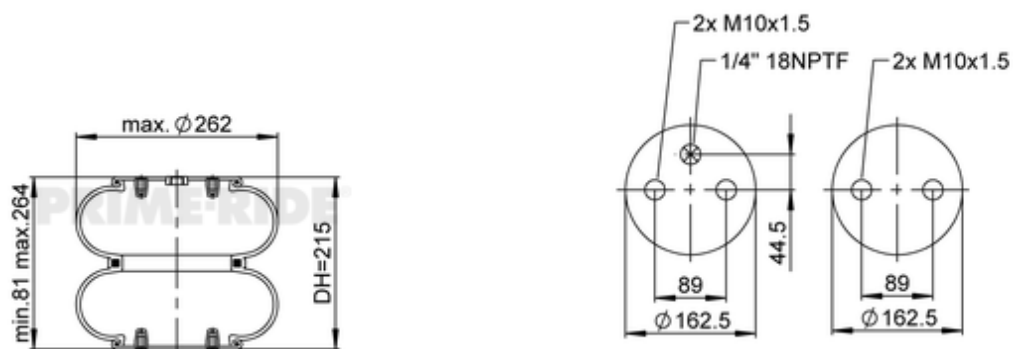







2B9-223

20920990



-  bolt or stud
-  hole
-  combination stud
-  air inlet

	2,9 kg
	2B9-2250
	1/4-18 NPTF: max. 35 Nm
	M10: max. 30 Nm

OE Manufacturer/Part No.

Manufacturer	Original Part No.	Model
MERITOR (ROR)	21221395	
MERITOR (ROR)	21222663	
DISCOS	A 946 328 07 01	
GRANNING	1371	
Hendrickson	NA 1827	
Weweler	US 06910F	
Granning	15603	
Floor	13586	

