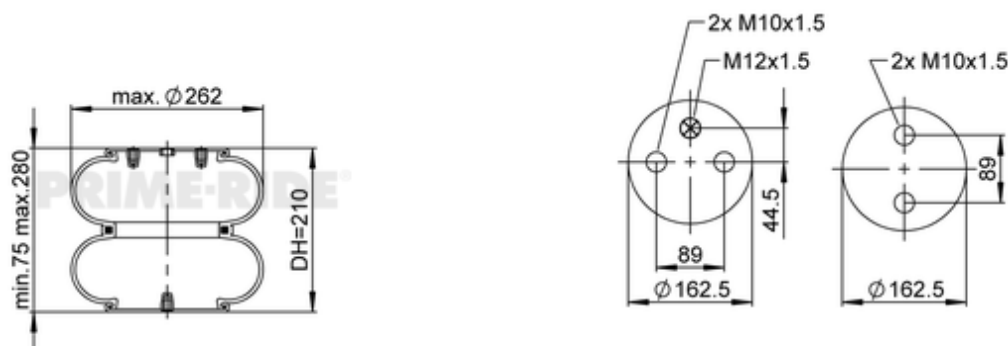


2B9-700

20920992






● bolt or stud

○ hole

⊗ combination stud

⊗ air inlet

| | |
|--|---------------------|
|  kg | 3,5 kg |
|  | M10: max. 30 Nm |
|  | M12x1.5: max. 45 Nm |

OE Manufacturer/Part No.

| Manufacturer | Original Part No. | Model |
|--------------|-------------------|-------|
| SAF | 4.229.1004.00 | |
| SCANIA | 1723523 | |
| SCANIA | 1319761 | |
| SCANIA | 1387289 | |
| Granning | 15599 | |
| Kögel | 6501706 | |
| Kögel | 6502824 | |