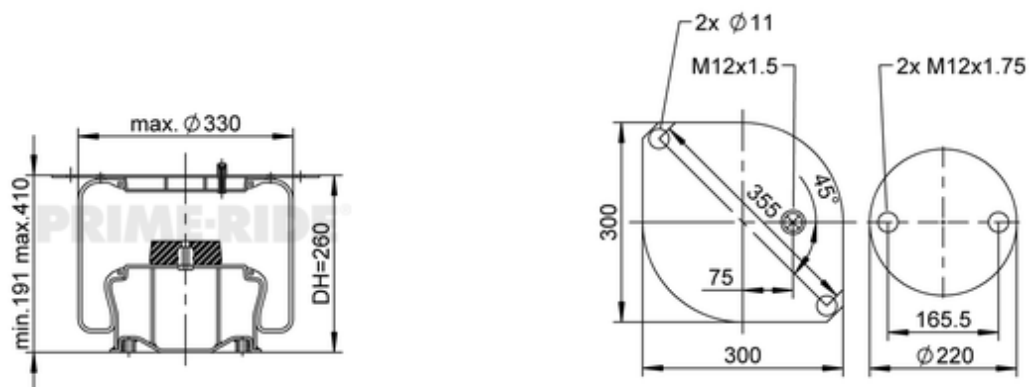







9500

20920769



● bolt or stud      ○ hole      ⊗ combination stud      ⊗ air inlet

 kg	9,6 kg
	
	M10: max. 35 Nm
	M12x1.5: max. 40 Nm
	M12x1.75: max. 60 Nm

## OE Manufacturer/Part No.

Manufacturer	Original Part No.	Model
BOVA	B186053	
Den Oudsten	450406	