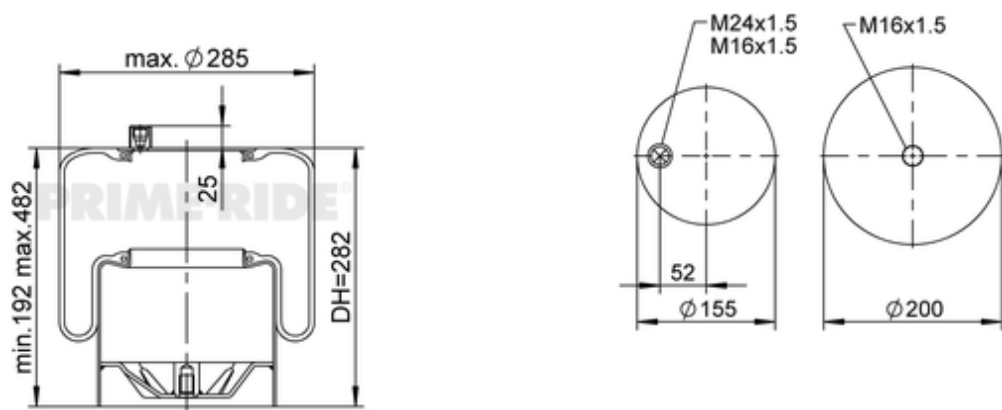







9505

21088995



-  bolt or stud
-  hole
-  combination stud
-  air inlet

 kg	6,8 kg
	
	M16x1.5: max. 20 Nm
	M16x1.5: max. 90 Nm
	M24x1.5: max. 70 Nm

OE Manufacturer/Part No.

Manufacturer	Original Part No.	Model
MERCEDES BENZ	A 942 320 01 21	
Mercedes	A 942 320 49 21	Actros
Mercedes	A 942 320 28 21	Actros MP2