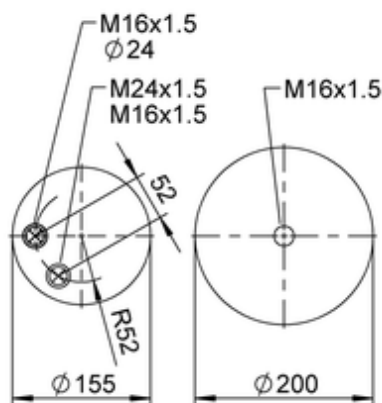
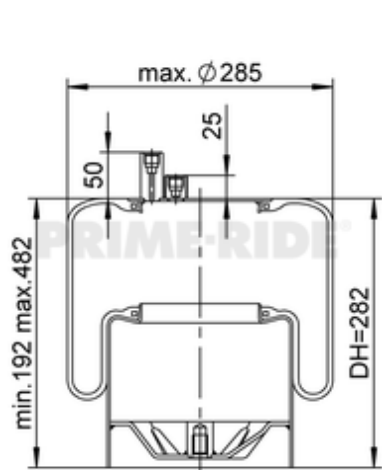







9506

21088996



- bolt or stud
- hole
- ⊗ combination stud
- ⊗ air inlet

 kg	7,1 kg
	
	M16x1.5: max. 20 Nm
	M16x1.5: max. 90 Nm
	M24x1.5: max. 70 Nm

**OE Manufacturer/Part No.**

Manufacturer	Original Part No.	Model
MERCEDES BENZ	A 942 320 02 21	
MERCEDES BENZ	A 942 320 29 21	
MERCEDES BENZ	A 942 320 50 21	
Mercedes	A 942 320 50 21	Actros
Mercedes	A 942 320 29 21	Actros MP2

