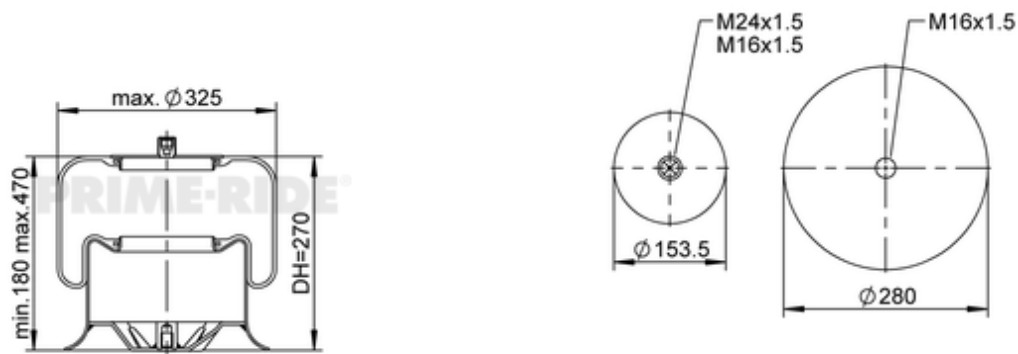


9519

21133636








● bolt or stud

○ hole

⊗ combination stud

⊗ air inlet

|  |                     |
|--|---------------------|
|  kg | 7,9 kg              |
|     |                     |
|     | M16x1.5: max. 20 Nm |
|     | M16x1.5: max. 90 Nm |
|     | M24x1.5: max. 70 Nm |

## OE Manufacturer/Part No.

| Manufacturer  | Original Part No. | Model |
|---------------|-------------------|-------|
| MERCEDES BENZ | A 942 320 43 21   |       |
| MERCEDES BENZ | A 942 320 01 17   |       |