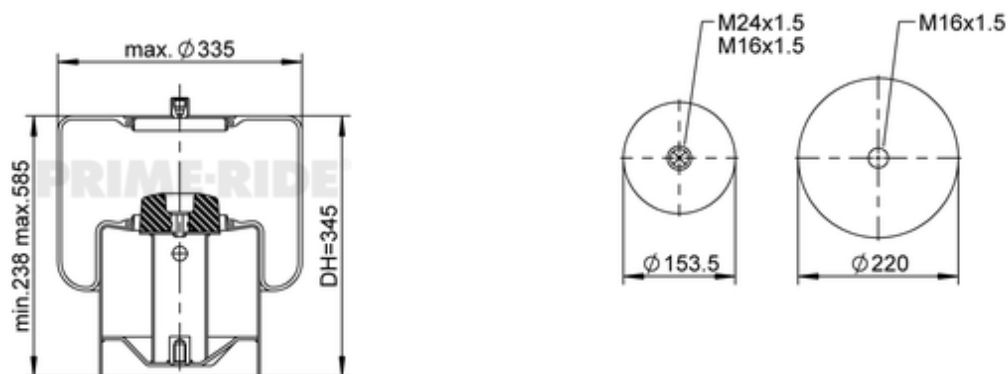







9522

21133642



-  bolt or stud
-  hole
-  combination stud
-  air inlet

 kg	7,5 kg
	
	M16x1.5: max. 20 Nm
	M16x1.5: max. 90 Nm
	M24x1.5: max. 70 Nm

## OE Manufacturer/Part No.

Manufacturer	Original Part No.	Model
MERCEDES BENZ	A 946 320 02 21	
Mercedes	A 942 320 36 21	Actros