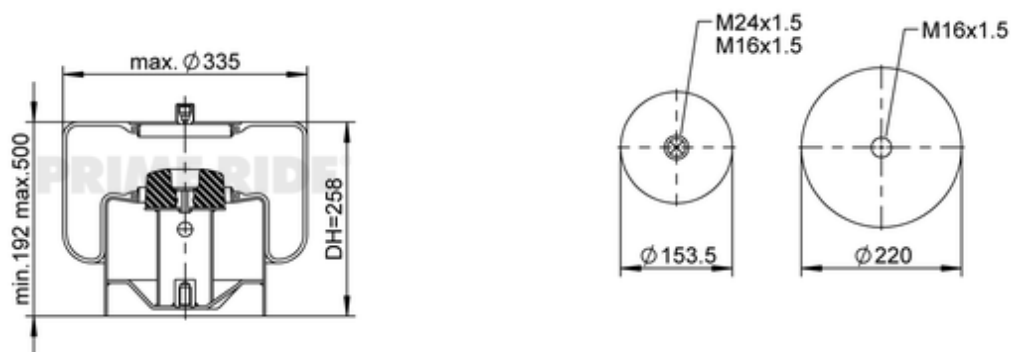


9523

21133637



- bolt or stud
- hole
- combination stud
- air inlet

kg	7,5 kg
	M16x1.5: max. 20 Nm
	M16x1.5: max. 90 Nm
	M24x1.5: max. 70 Nm

OE Manufacturer/Part No.

Manufacturer	Original Part No.	Model
MERCEDES BENZ	A 946 320 03 21	
MERCEDES BENZ	A 942 320 37 21	