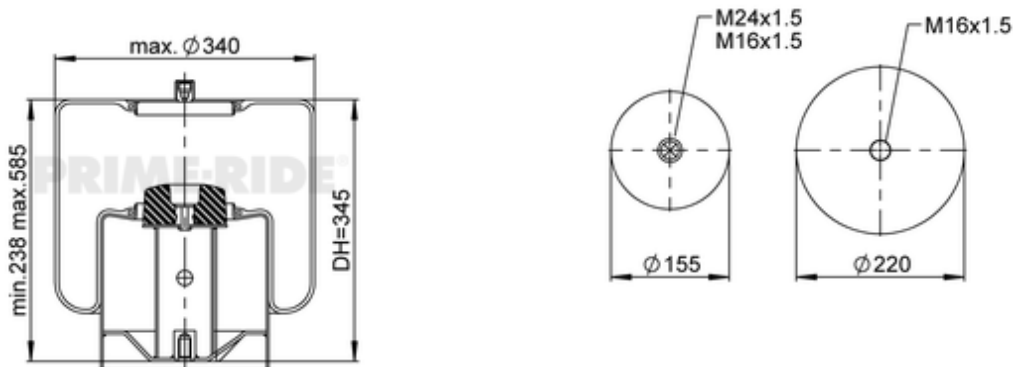


9536

21133639








● bolt or stud

○ hole

⊗ combination stud

⊗ air inlet

 kg	7,5 kg
	
	M16x1.5: max. 20 Nm
	M16x1.5: max. 90 Nm
	M24x1.5: max. 70 Nm

## OE Manufacturer/Part No.

Manufacturer	Original Part No.	Model
MERCEDES BENZ	A 946 320 01 21	
Mercedes	A 942 320 35 21	Actros