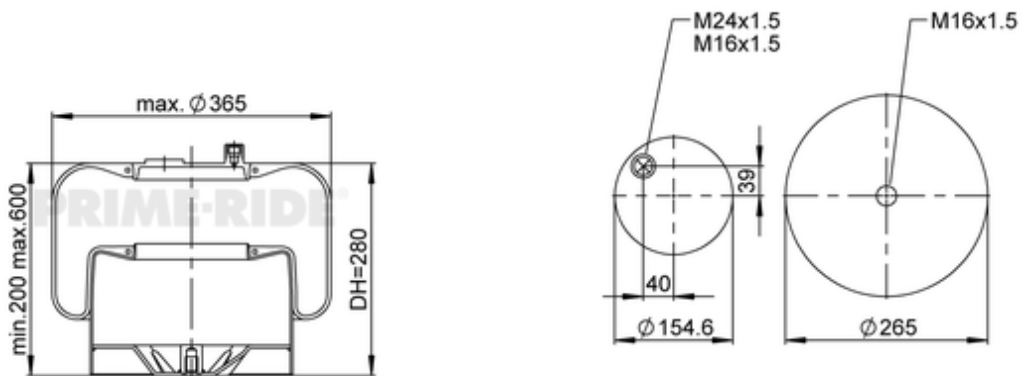


9567

21062887



● bolt or stud

○ hole

⊗ combination stud

⊗ air inlet

	9,2 kg
	M16x1.5: max. 20 Nm
	M16x1.5: max. 90 Nm
	M24x1.5: max. 25 Nm

## OE Manufacturer/Part No.

Manufacturer	Original Part No.	Model
MERCEDES	A9423201321	
MERCEDES	A9423201821	
MERCEDES	A9423202221	
MERCEDES	A9423207221	
MERCEDES	A9423202621	
MERCEDES	A9423206821	

