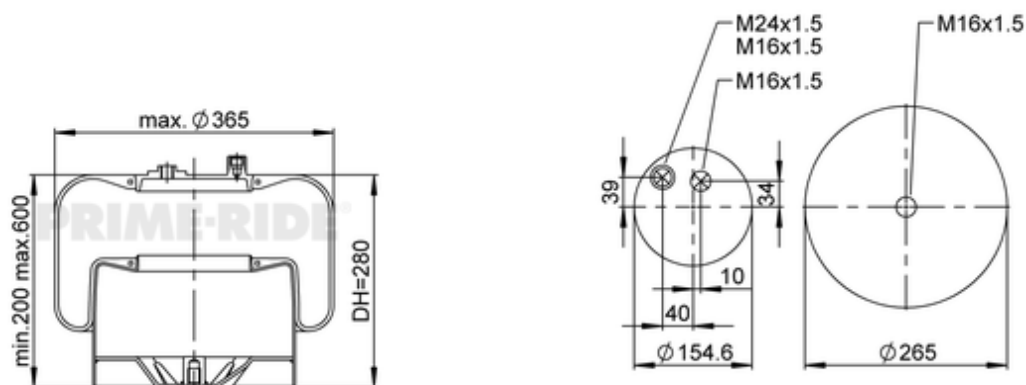


9568

21062888



● bolt or stud

○ hole

⊗ combination stud

⊗ air inlet

	9,2 kg
	M16x1.5: max. 20 Nm
	M16x1.5: max. 90 Nm
	M24x1.5: max. 25 Nm

OE Manufacturer/Part No.

Manufacturer	Original Part No.	Model
MERCEDES	A9423202721	
MERCEDES	A9423202321	
MERCEDES	A9423206921	
MERCEDES	A9423207321	
MERCEDES	A9423201921	
MERCEDES	A9423201421	
Mercedes	A 942 320 05 57	Actros MP2

Mercedes

A 942 320 07 57

Actros MP2

© 2024 PRIME-RIDE®, ALL RIGHTS RESERVED. <https://prime-ride.com/>